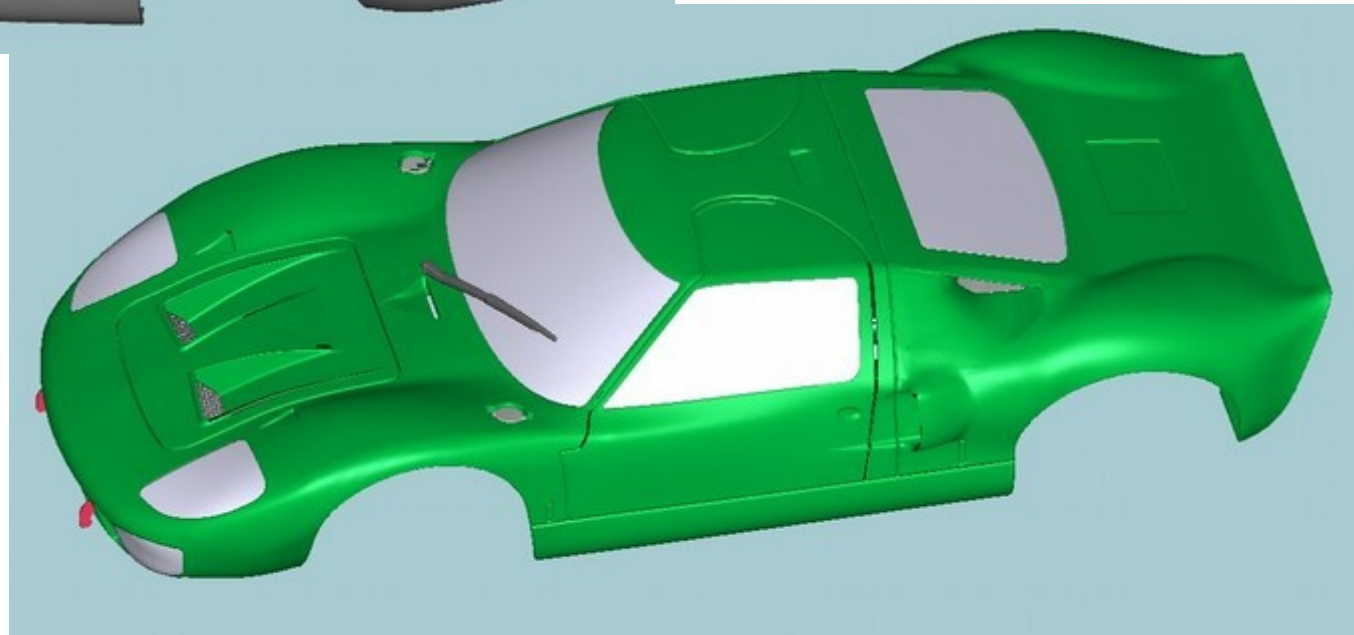
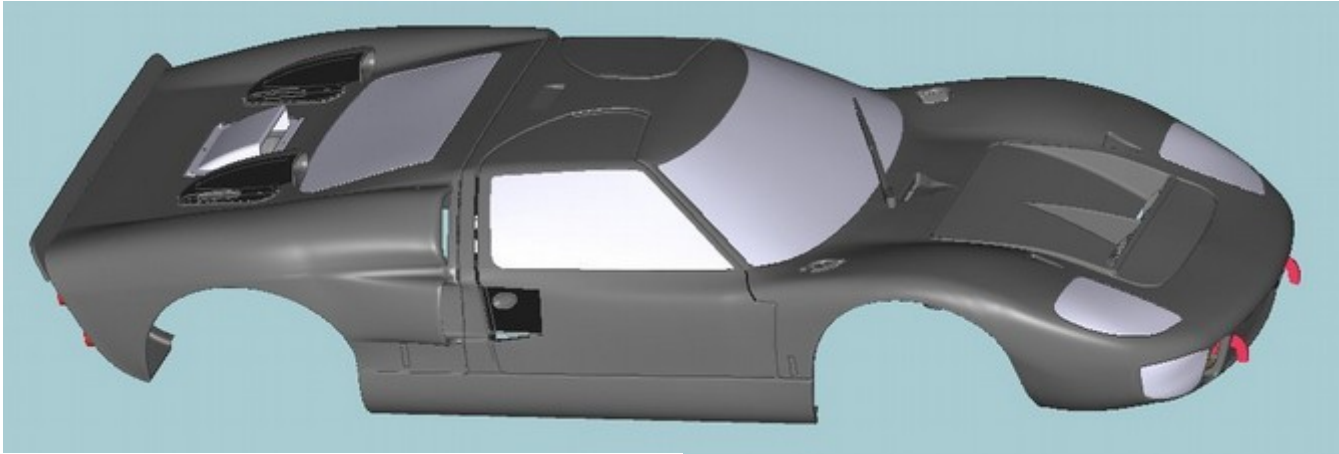
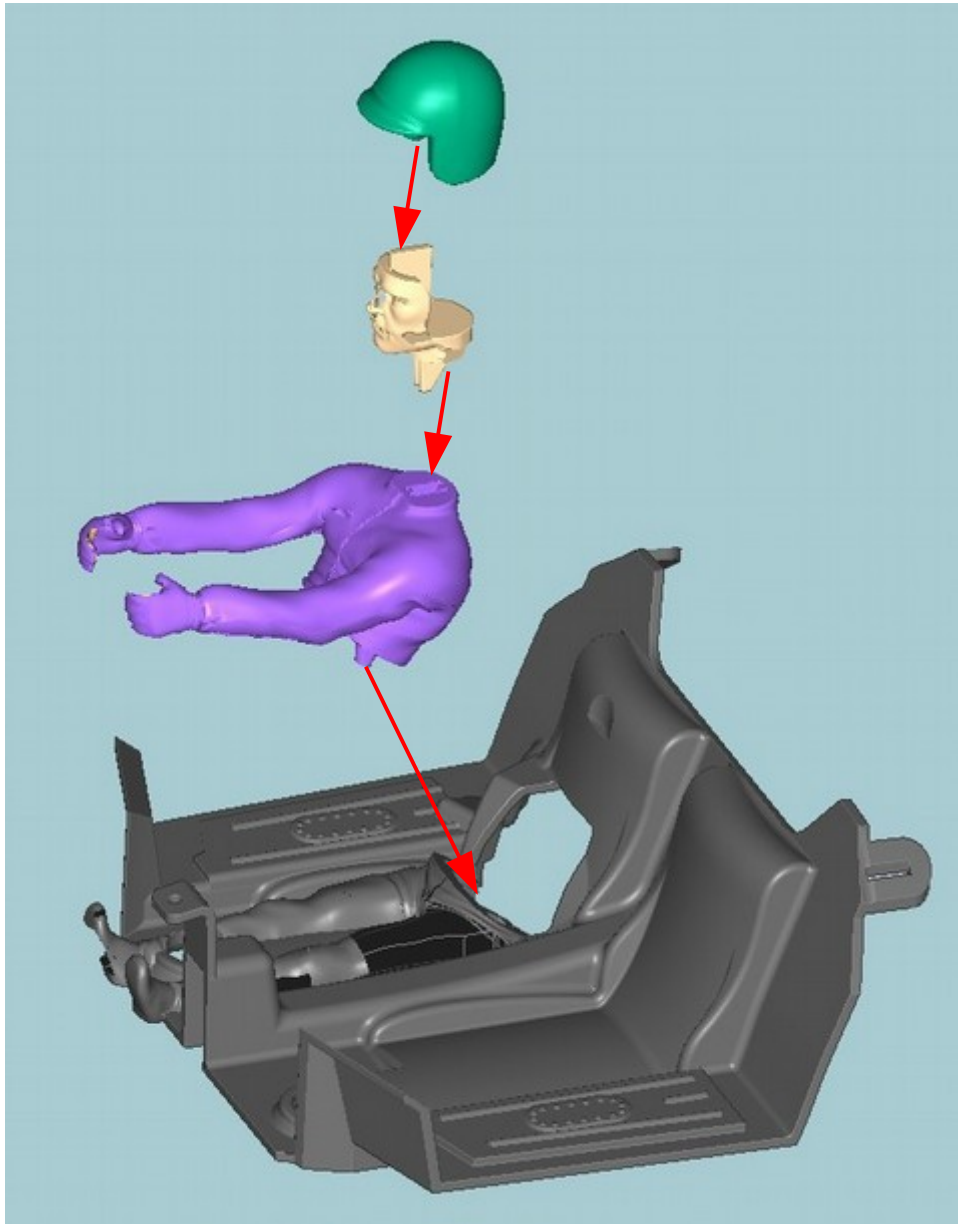
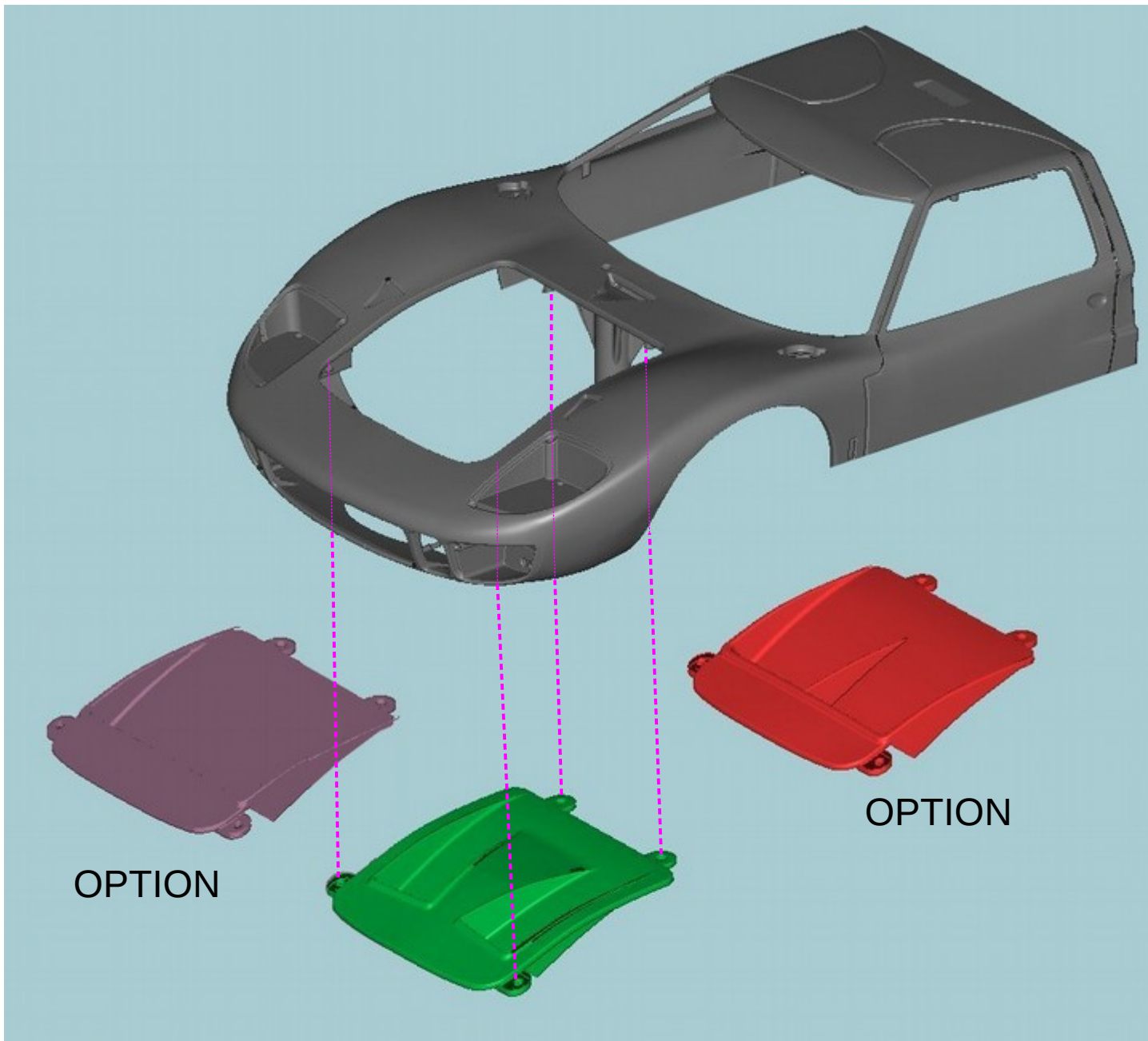
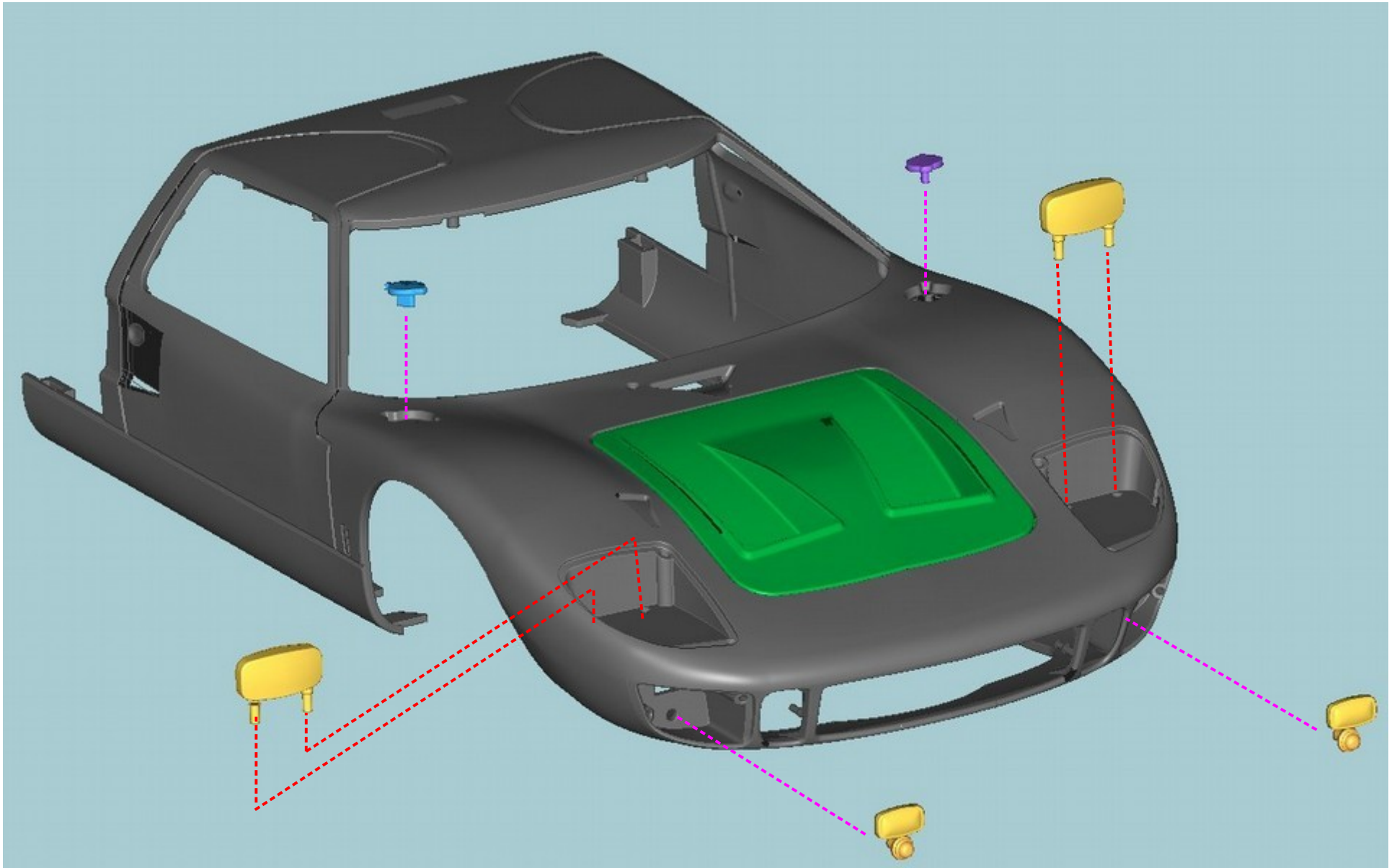


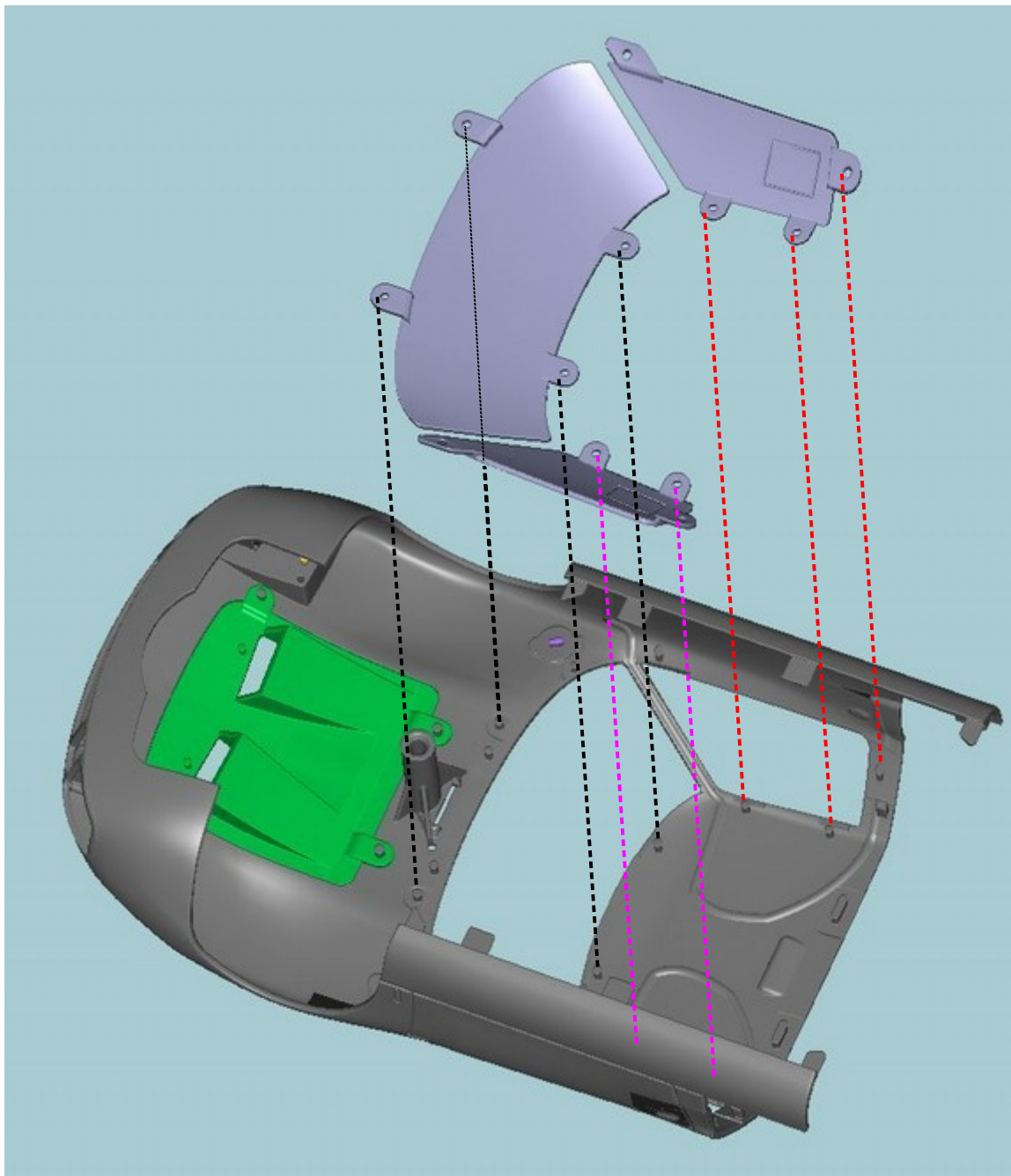
# Ford GT40 MKI, MKII Instructions

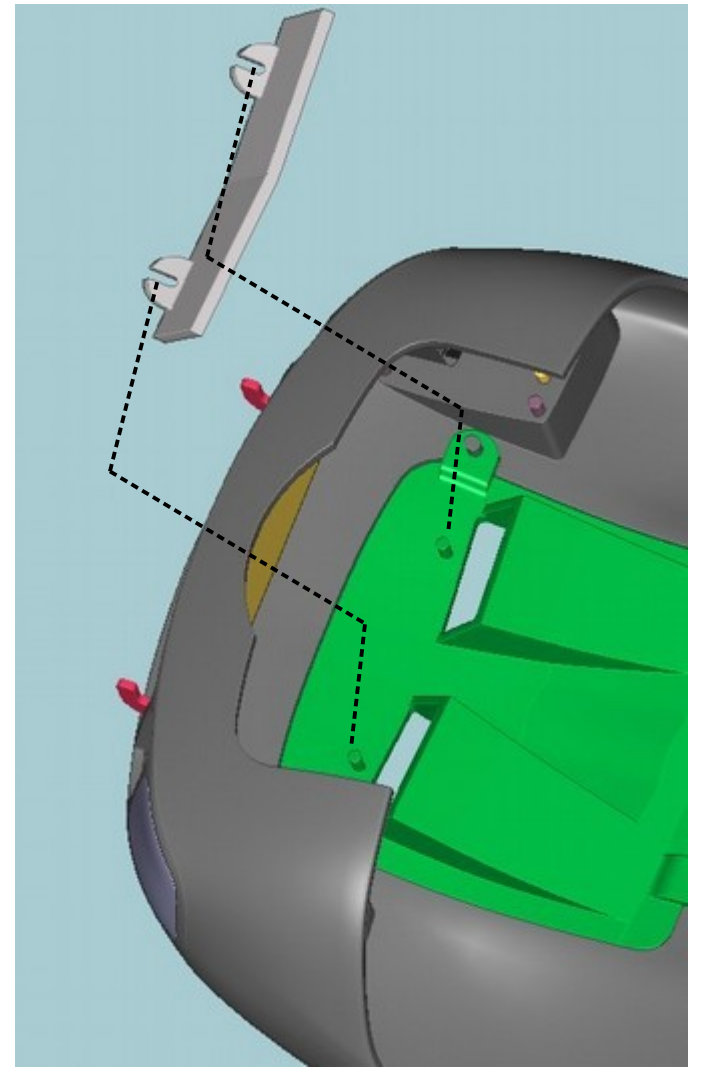
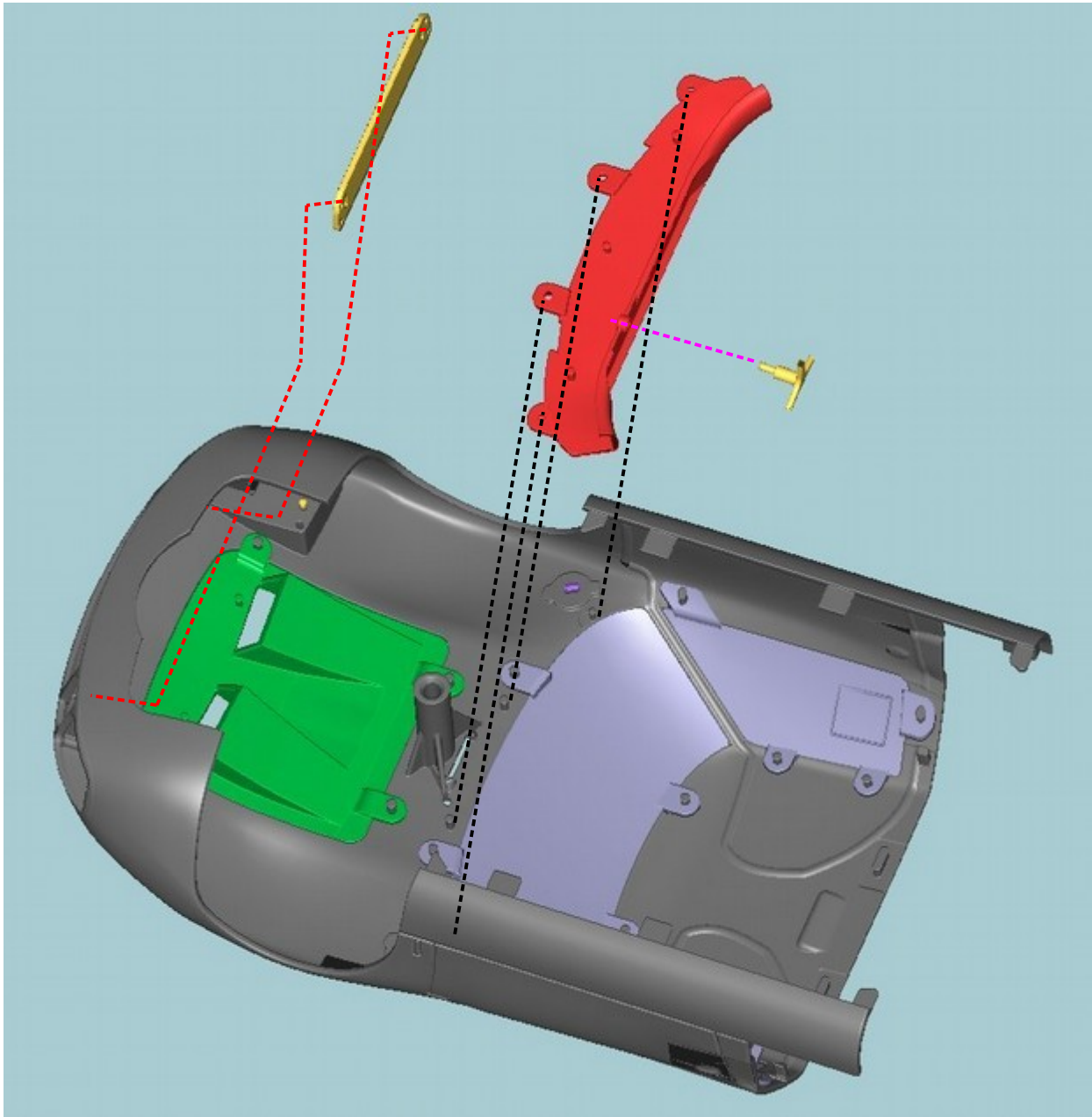


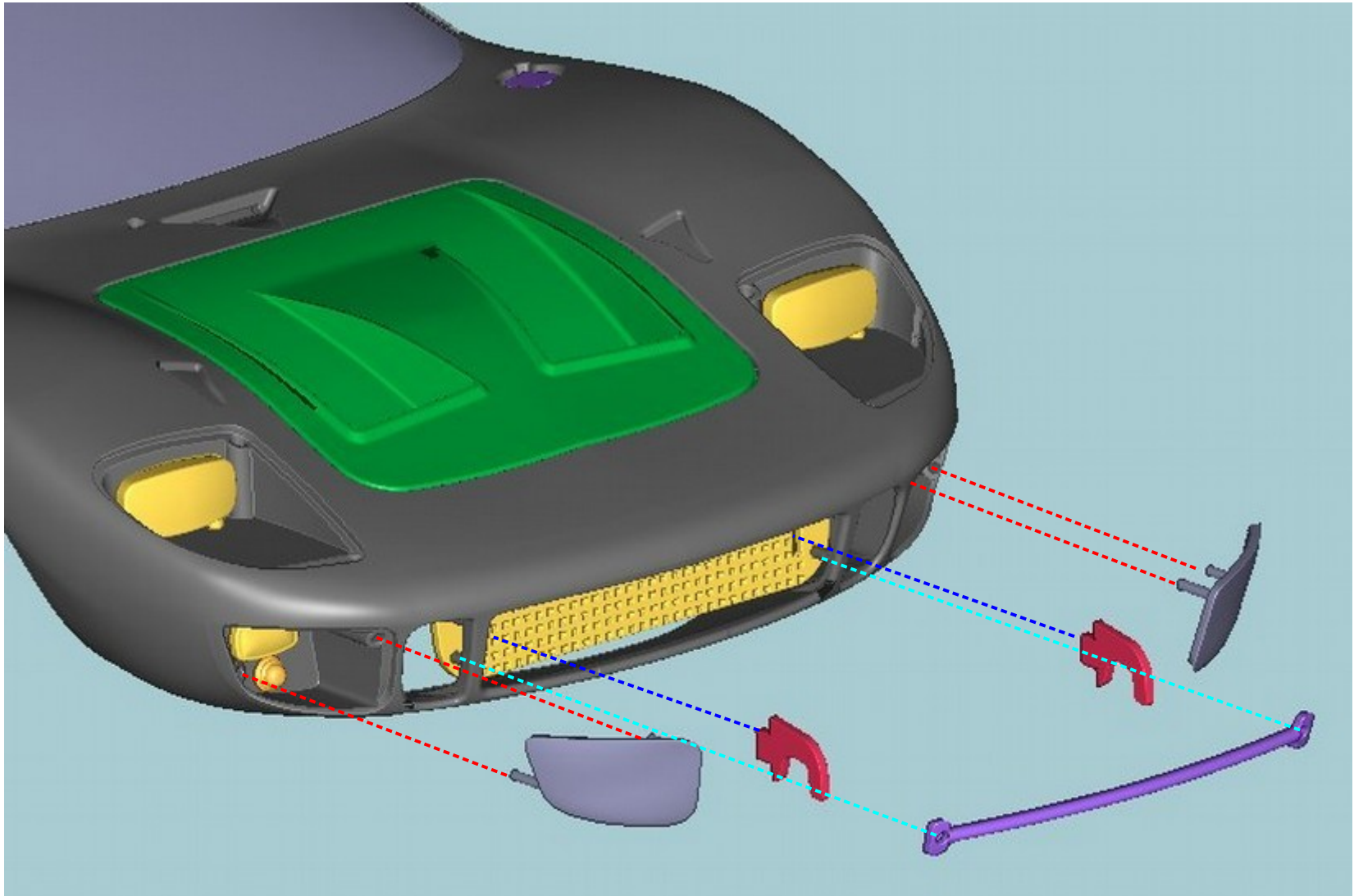


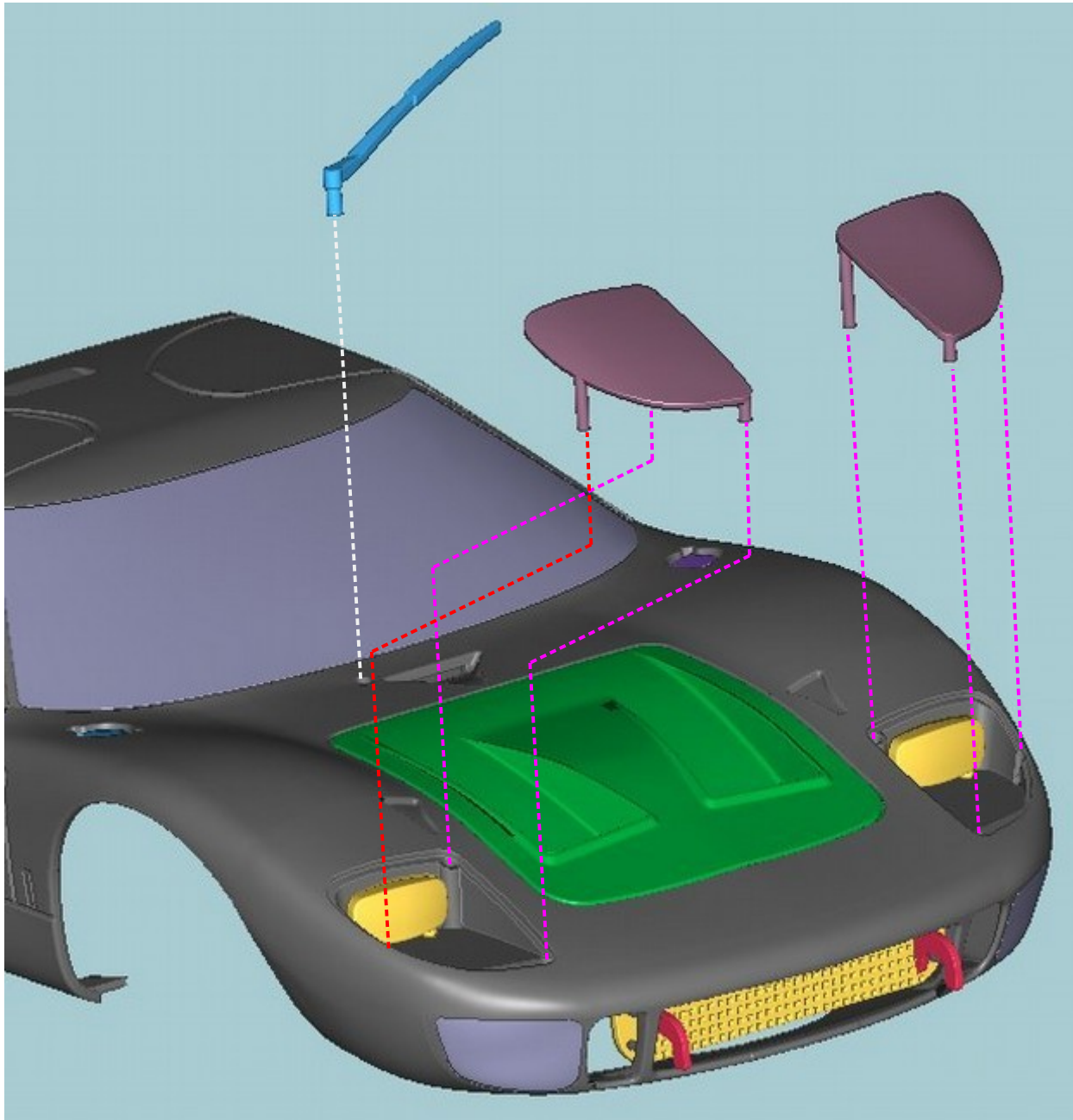






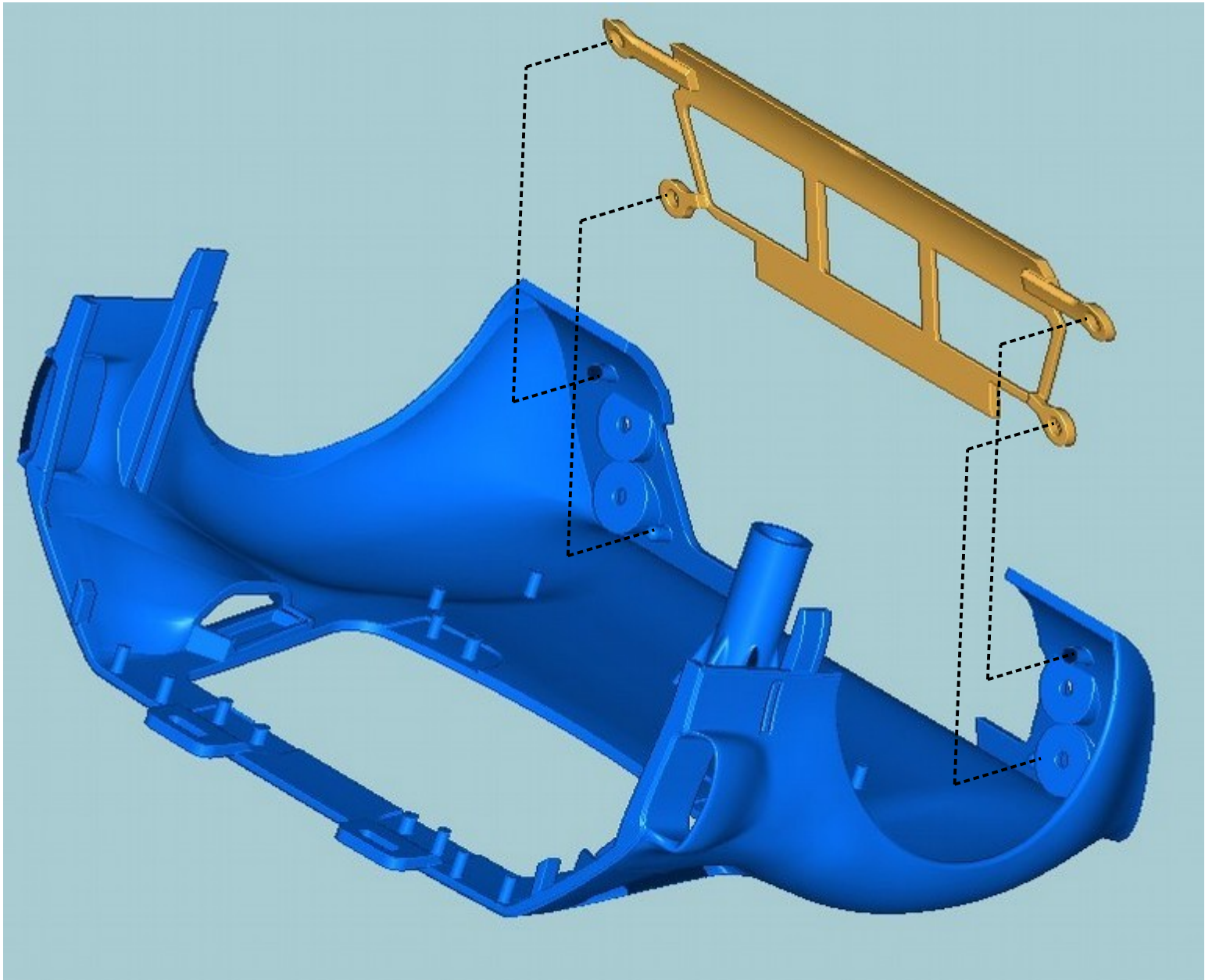








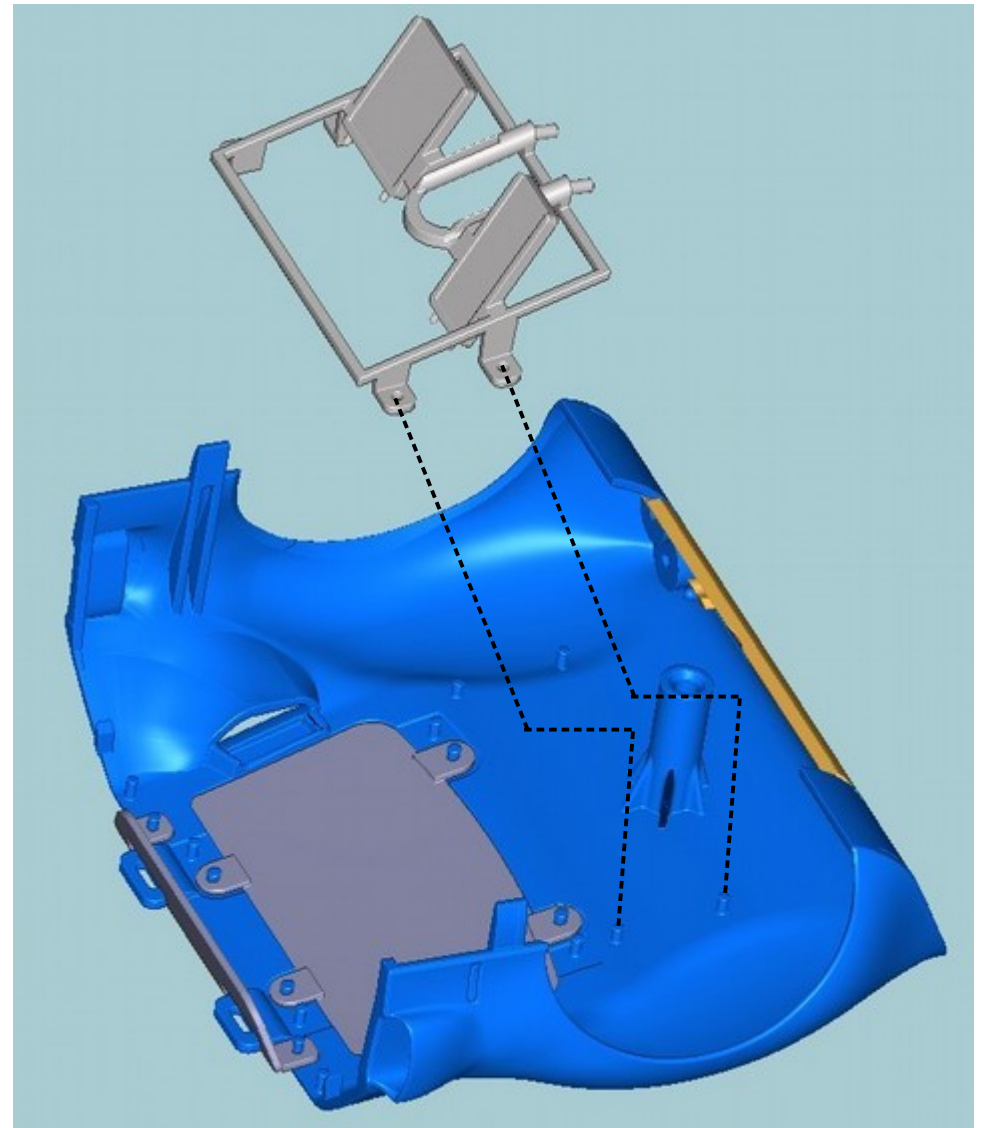
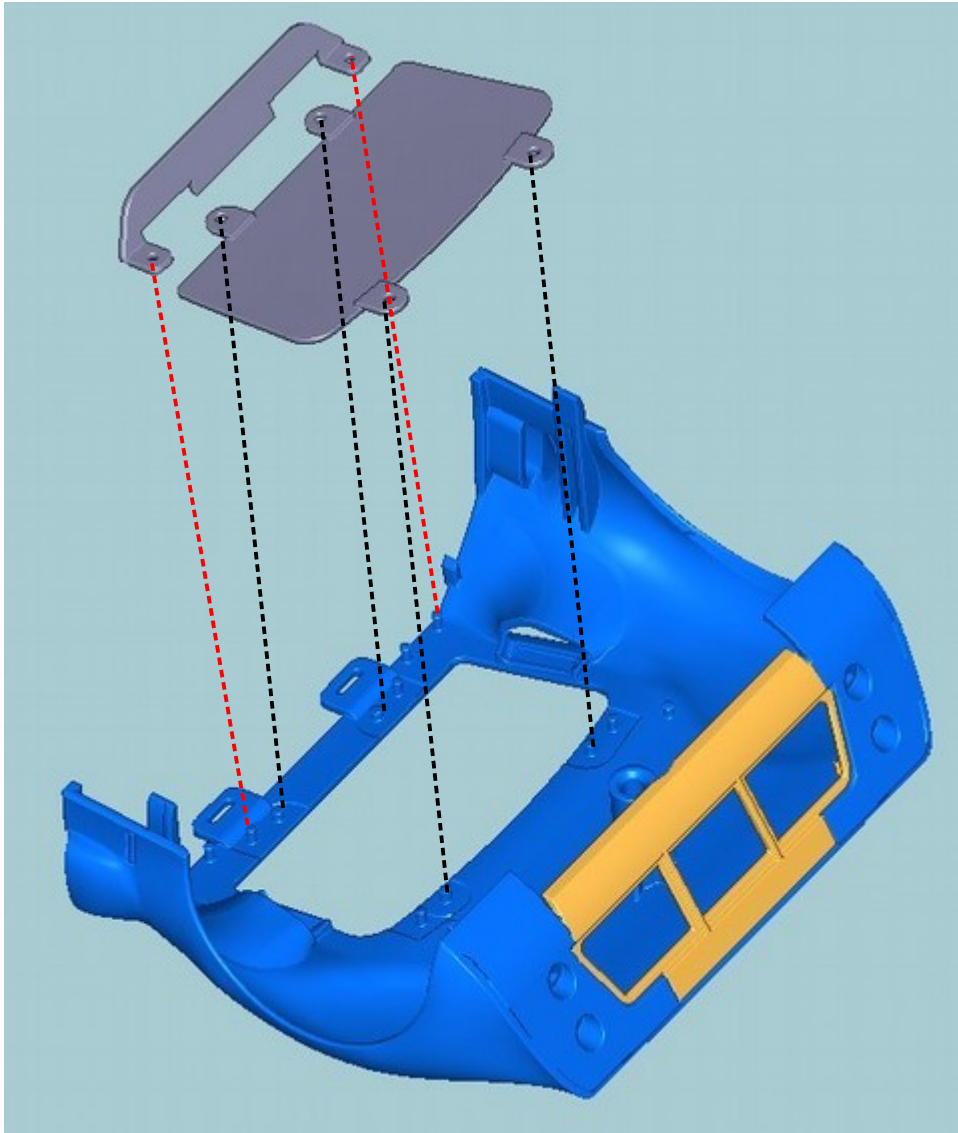
MK I



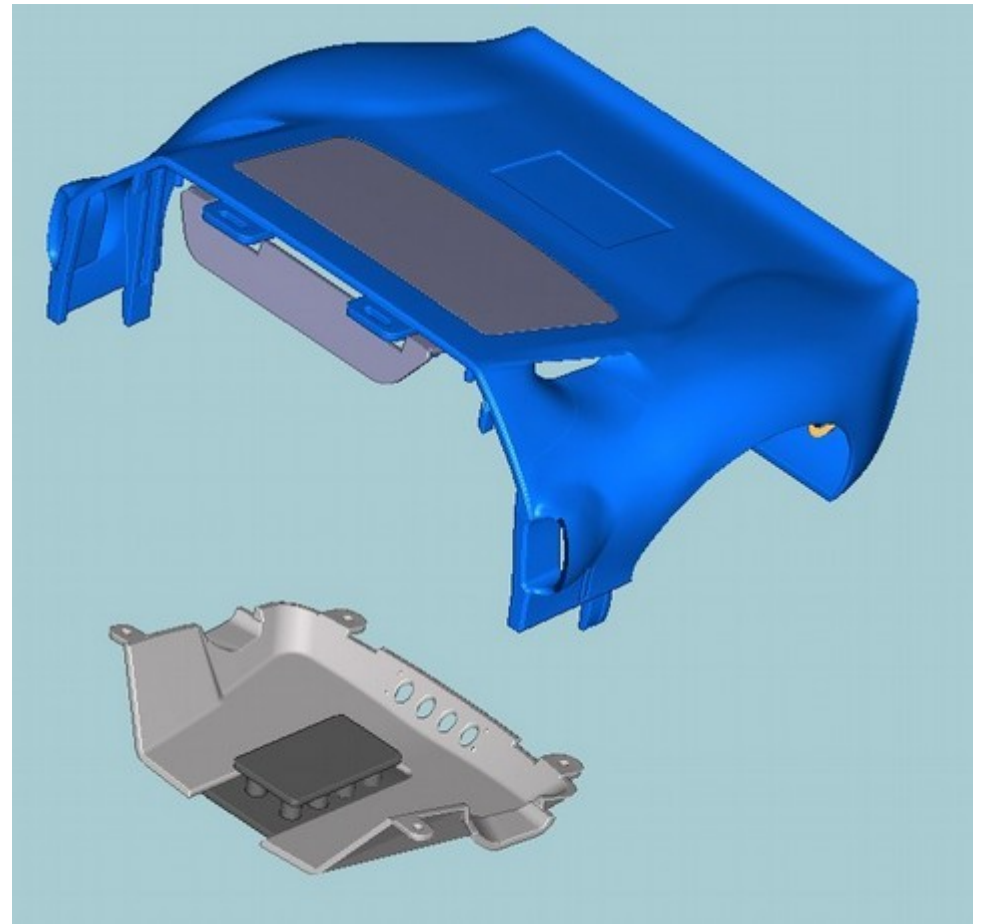
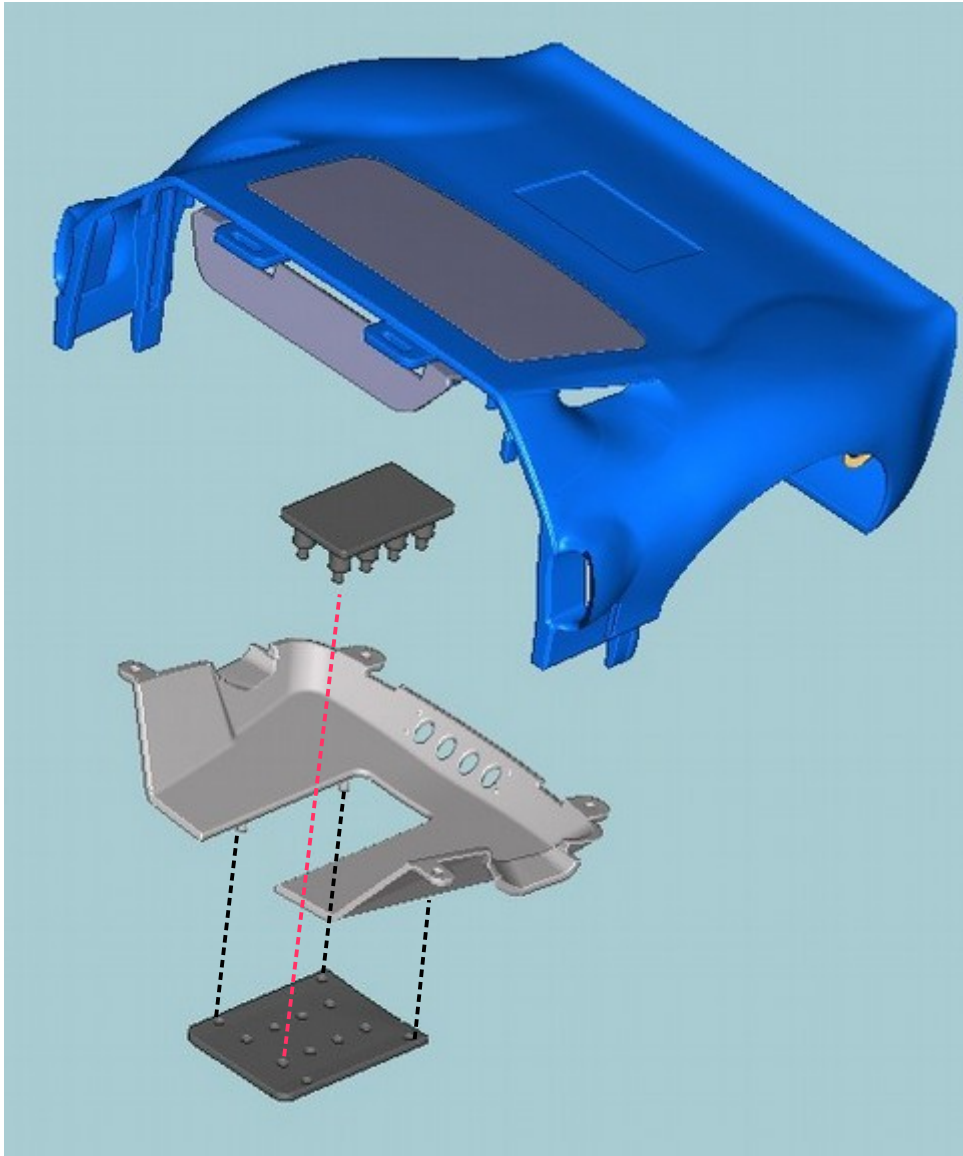
GT40



MK I



MK I

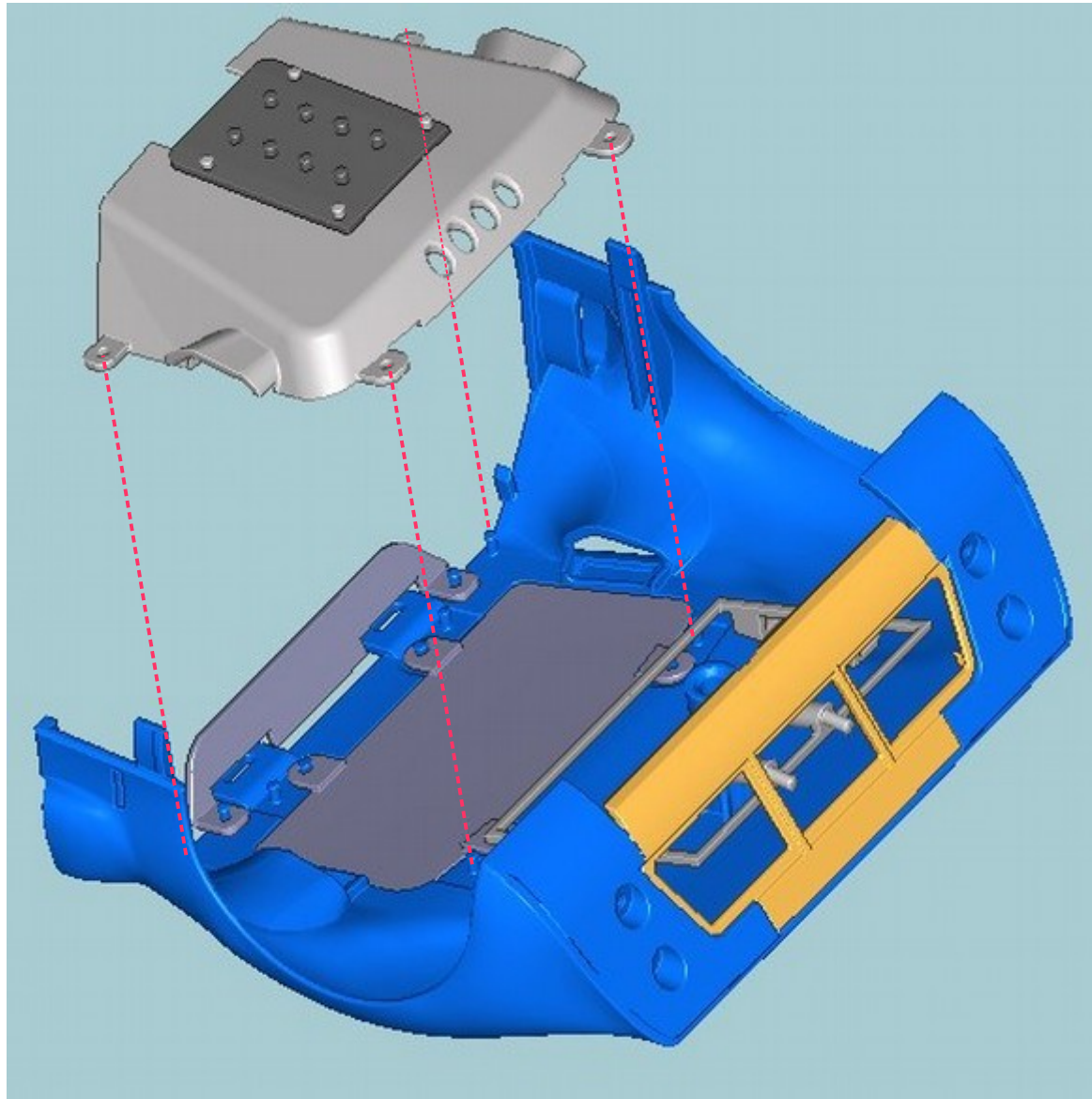


GT40



11

MK I

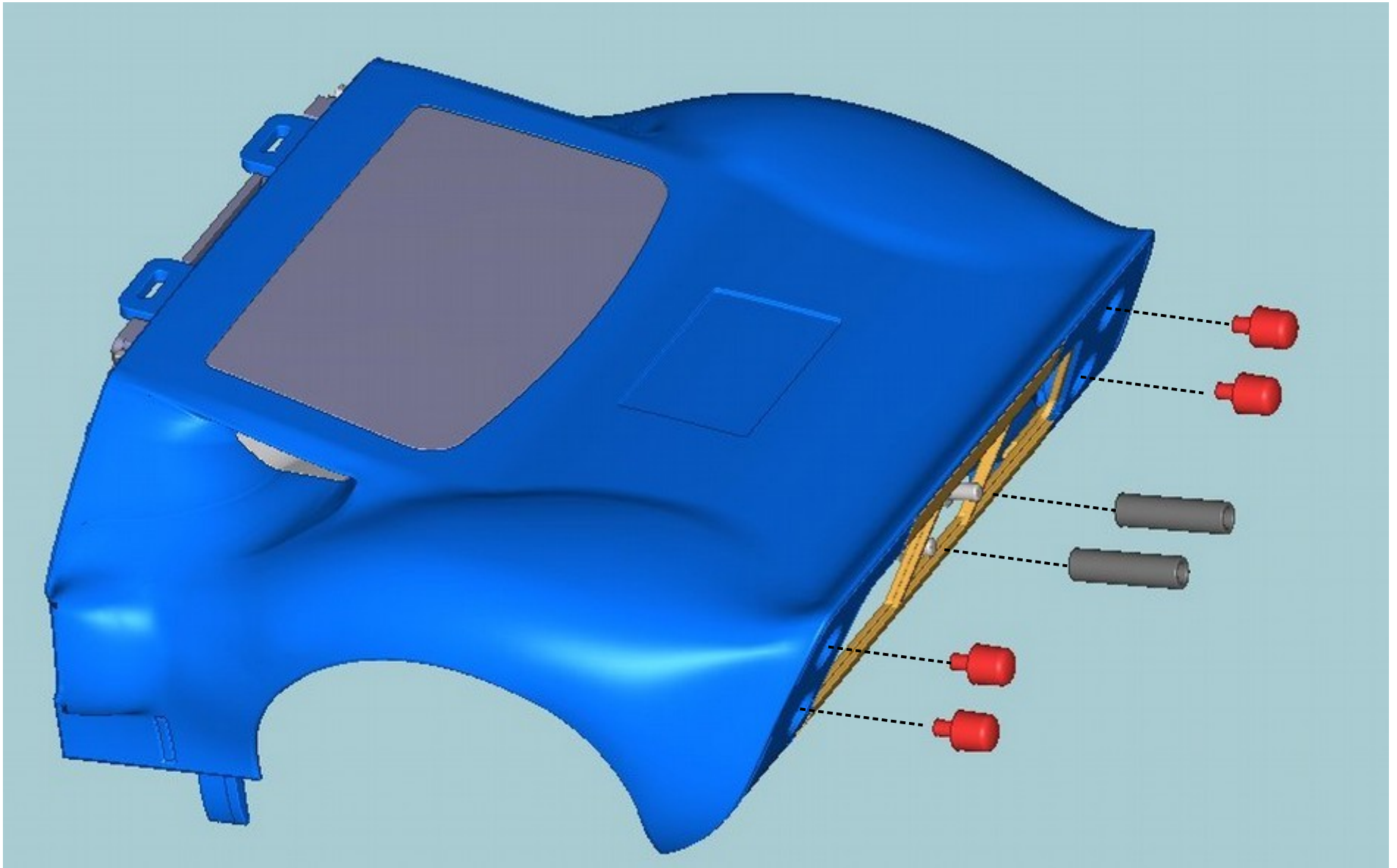


GT40

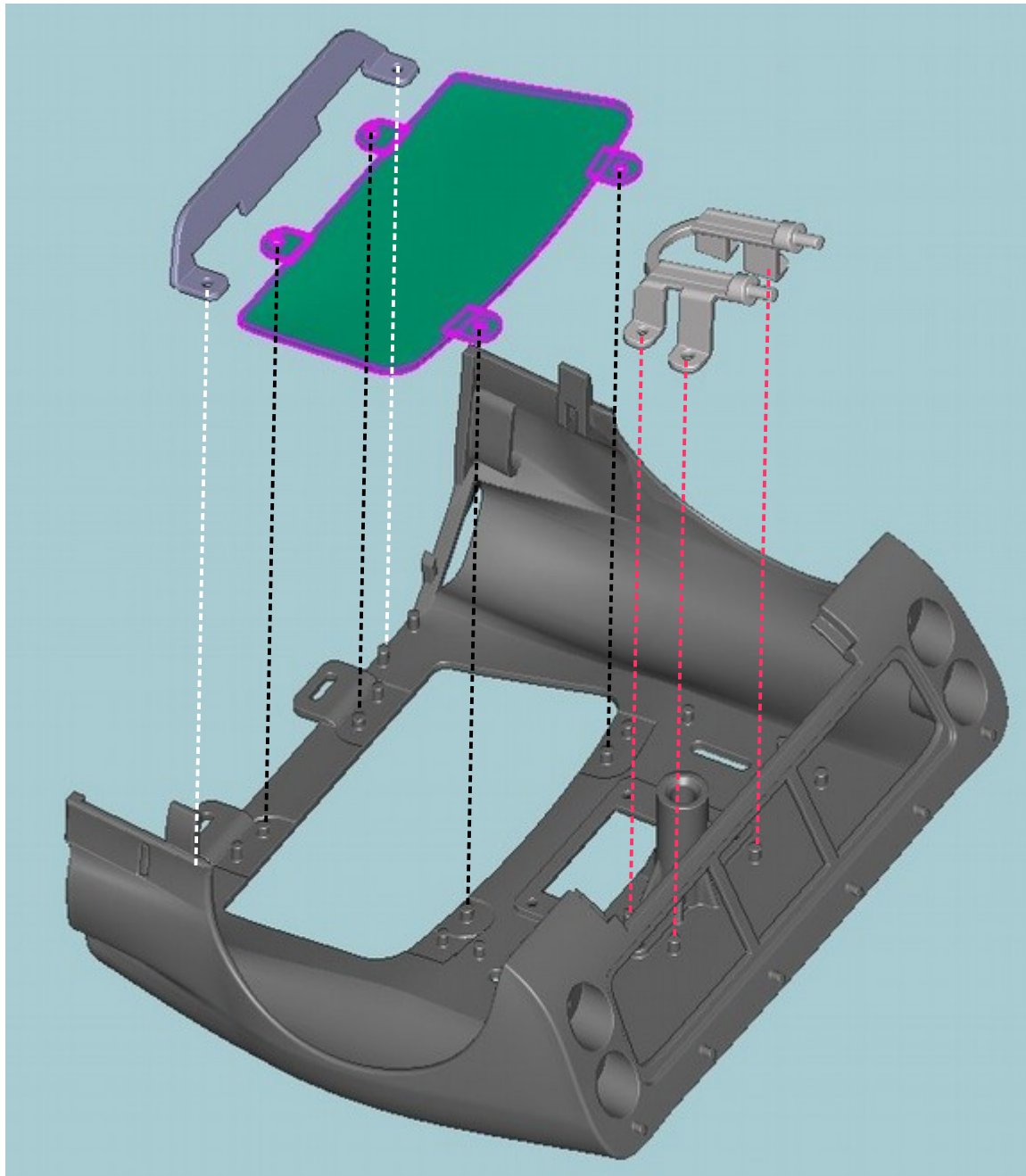


12

MK I



MK II

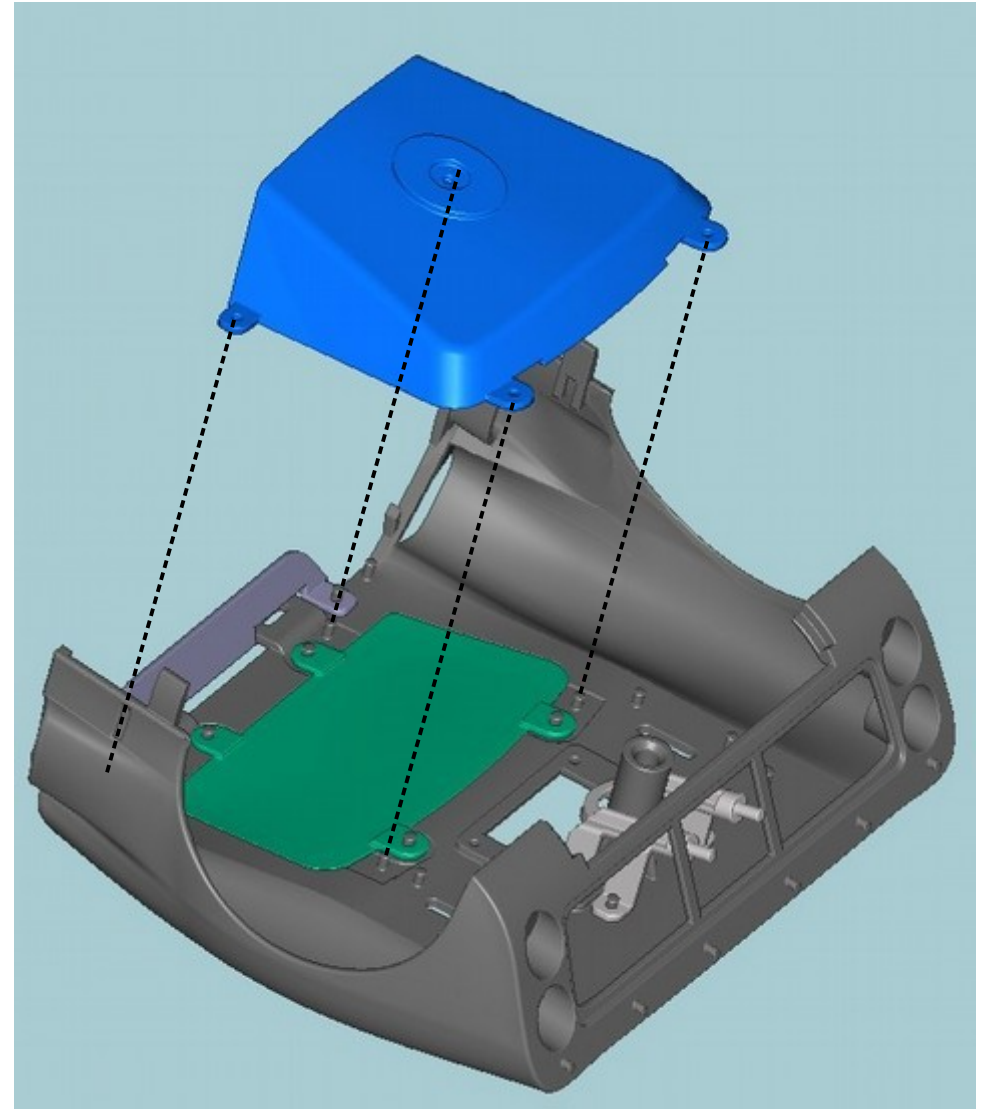
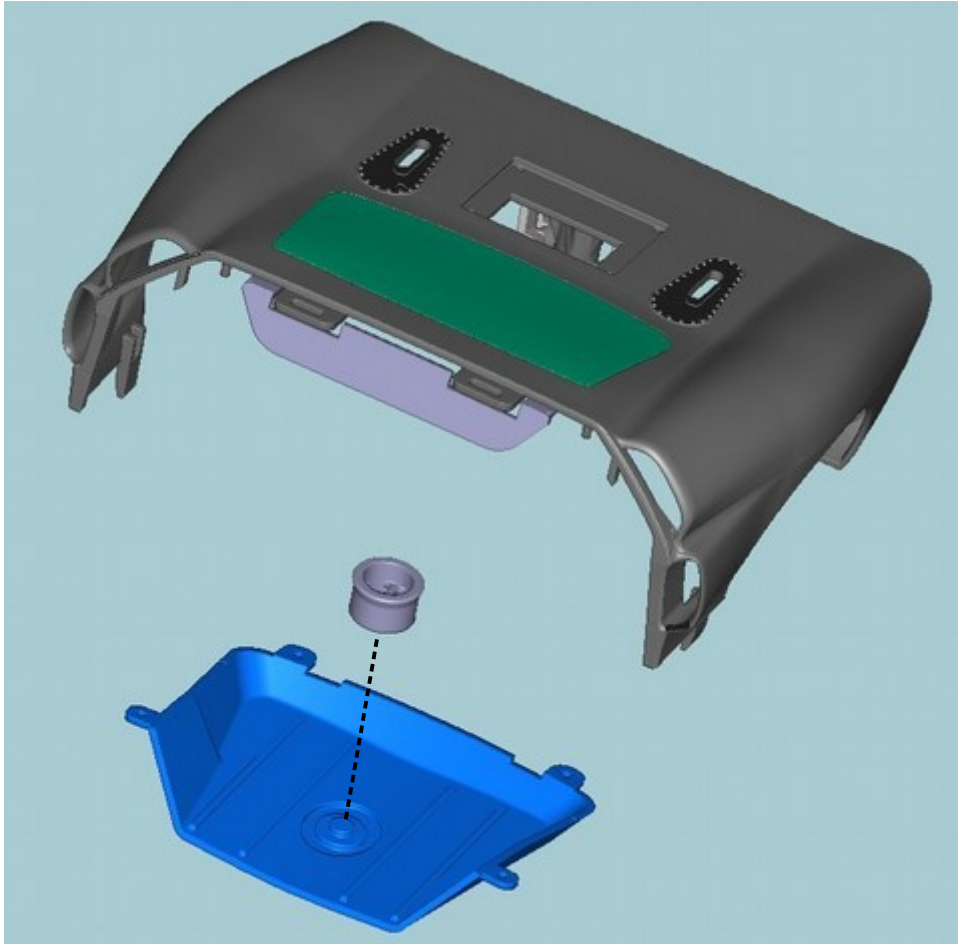


GT40

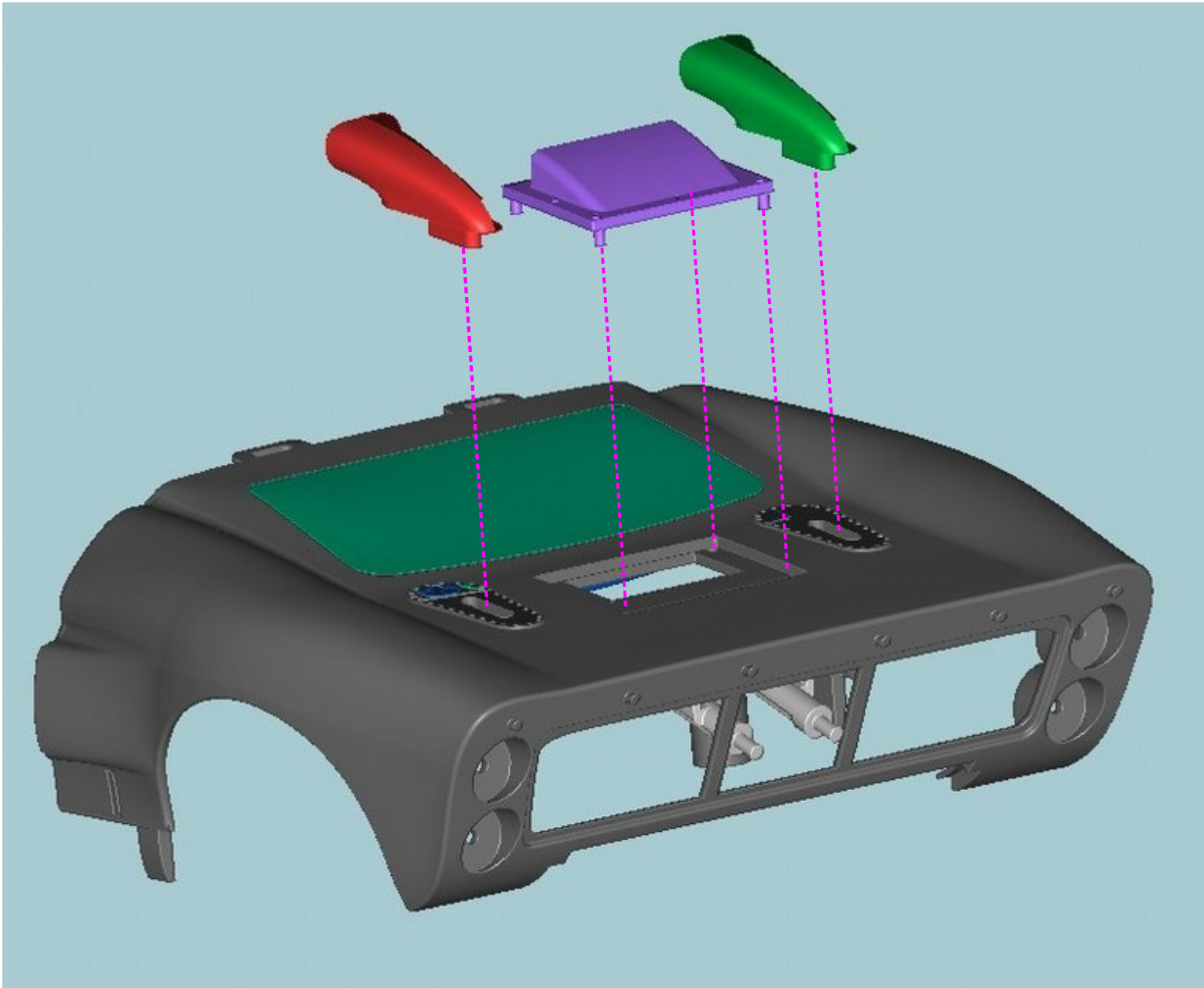


14

MK II



MK II



GT40



16



MK II

